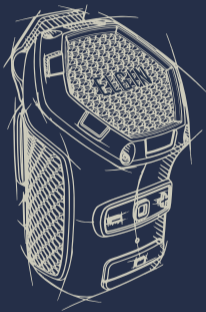


Elgin
USA



THUMPER

USER GUIDE

WELCOME

Thank you for purchasing the Elgin® Thumper Personal Bluetooth® Speaker.

Elgin represents generations of American engineers whose work is dedicated to the concept of American Innovation — the belief that this country was founded to serve the common man and the common good in innovative ways.

We make tools that amplify the output of the everyday craftsman. The unapologetic, under-appreciated workers responsible for laying the brick & mortar of America.

WHAT IS INCLUDED WITH YOUR SPEAKER



USB-C
Charging Cable



Spare Mounting
Magnet



User Guide



1-Year Limited
Warranty

CONTACT US

For questions about the Elgin Thumper or other Elgin products, please contact us at: support@elginusa.com or scan the QR code on the right with your smart phone.



SAFETY INFORMATION

WARNING: DO NOT leave speaker in any location with excessive heat.

WARNING: Do NOT use in environments where you must be fully aware of their surroundings for safety reasons.

WARNING: Do NOT use/charge device in explosive environment

WARNING: DO NOT charge or use the battery in explosive atmospheres, such as in the presence of flammable liquids, gases or dust.

WARNING: DO NOT modify the battery in any way to fit a non-compatible charger as the battery may rupture causing serious personal injury.

WARNING: DO NOT splash or immerse in water or other liquid.

WARNING: DO NOT store or use the speaker in locations where the temperature may reach or exceed 105° F (40° C) (such as outside sheds or metal buildings in summer). For best life, store speaker in a cool, dry location.

WARNING: Burn hazard. Battery liquid may be flammable if exposed to spark or flame.

WARNING: Fire hazard. Never attempt to open the battery for any reason. If the battery is cracked or damaged, do not insert the charging cable. Do not crush, drop or damage the battery.

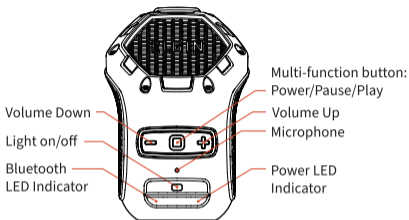
WARNING: Do not use the speaker if it has received a sharp blow, been dropped, run over or damaged in any way (e.g. pierced with a nail, hit with a hammer, stepped on).

CAUTION: If the Elgin Thumper is connected to a device with a high audio output, it is the user's responsibility to set the device's audio output to a safe level.

WARNING: Damaged batteries should be returned to a service center for recycling.

The speaker should not be disposed of as municipal solid waste. To recycle it, contact your local hazardous waste processor or contact Call 2 Recycle® on their website, call2recycle.org, or by phone at 877-273-2925 to find the nearest drop-off location for lithium-polymer batteries.

LED INDICATOR/FUNCTION



Power On

- ☀ Red and Blue simultaneously then flashes red 3 times.

🔊 "Power On"

Power Off

- ☀ Solid red and blue for 1 second.

🔊 "Power Off"

Pairing Mode

- ☀ Blue and Red alternating.

🔊 "Pairing"

Paired to Device

🔊 "Connected"

Charging

- ☀ Solid red while charging

Full Charge

- ☀ Solid blue when charging is complete.

Low Battery

- ☀ Flashes red.
- 🔊 "Battery Low"

Factory Reset

- ☀ Flashes red and blue 5 times.

CHARGING YOUR ELGIN THUMPER

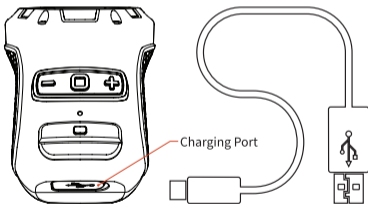
The Thumper is partially charged out of the box, however, we recommend charging it fully before first use.

ATTENTION: Only use the supplied USB-A to USB-C cable to charge the speaker.

To charge the speaker, connect the provided USB-C charging cable to the charging port located on the bottom of the device.

The LED indicator will turn red while the speaker are charging. Once charging is complete, the LED indicator will turn blue.

Approximate charge time is 1.5 hours.



LOW BATTERY REMINDER

Once the battery level is lower than 10%, the LED indicator will flash red for 3 seconds and there will be a “Battery Low” voice prompt.

POWERING ON AND OFF

Manual Power On

Press and hold the Multi-Function Button for 3 seconds. The LED will flash blue & red once then red 3 times and there will be a “Power On” voice prompt. If the speaker are not paired to a device, there will also be a “Pairing” voice prompt.

Manual Power Off

Press and hold the Multi-Function Button for 3 seconds. The LED will flash red & blue 1 time and there will be a “Power Off” voice prompt.

Automatic Power Off

The speaker will automatically power off if not successfully paired with a device within 3 minutes. There will be a “Power Off” voice prompt.

When the Bluetooth connection is manually disconnected from a device, the speaker will enter pairing mode. The LED will alternately flash blue and red. If not successfully paired with another device within 3 minutes, the LED will flash red 3 times and the speaker will automatically power off. There will be a “Power Off” voice prompt.

BLUETOOTH® PAIRING

Activate Bluetooth on your phone or Bluetooth-enabled device and ensure it is actively scanning for available devices.

Pairing a Device for the First Time

Press and hold the Multi-Function Button for 3 seconds to power on the speaker. The LED will flash blue 3 times and there will be a “Power On” voice prompt. There will also be a “Pairing” voice prompt and the LED will alternately flash blue and red.

On your Bluetooth enabled device, search the list of available devices and select ‘Elgin Thumper’. If the connection is successful, there will be a “Connected” voice prompt.

Using a Previously Paired Device

Press and hold the Multi-Function Button for 3 seconds to power on the speaker. The LED will flash blue 3 times and there will be a “Power On” voice prompt. There will also be a “Pairing” voice prompt. The speaker will automatically attempt to connect to the most recently paired device. If the connection is successful, there will be a “Connected” voice prompt.

Exceeding Bluetooth Range

When connected to a device and the maximum Bluetooth range has been exceeded, the speaker will automatically disconnect and enter pairing mode. There will be a “Disconnected. Pairing.” voice prompt. If the speaker are placed in range within 3 minutes, they will reconnect to the device and there will be a “Connected” voice prompt. If the speaker are out of Bluetooth range for more than 3 minutes, they will automatically power off.

AUDIO PLAYBACK

Audio Play/Pause

Single-Press the Multi-Function Button to play/pause audio content.

Skip Forward

Press and hold the Volume Up Button (+) for 2 seconds to skip the next track.

Skip Backward

Press and hold the Volume Down Button (-) for 2 seconds to skip to the beginning of the current track. Immediately press and hold again to skip to the previous track.

VOLUME CONTROL

Single-press the Volume Up Button (+) to increase the volume by one level. When maximum volume has been reached, there will be an audio prompt.

Single-press the Volume Down Button (-) to decrease the volume by one level. When minimum volume has been reached, there will be an audio prompt.

VIRTUAL ASSISTANT

While the speaker is connected to a device and in standby mode or playing audio, press the Multi-Function Button twice to activate Siri® or Google Assistant™.

Features of the controller are regulated by the connected and transmitting device. We do not guarantee compatibility with all functions of every Bluetooth® enabled device. Check your device's user manual for compatibility and functionality.

MULTI-POINT PAIRING

Activate Bluetooth on your phone or Bluetooth-enabled device and ensure it is connected to only one of the speakers. If both are connected, remove one of the Thumper speakers from your Bluetooth settings.

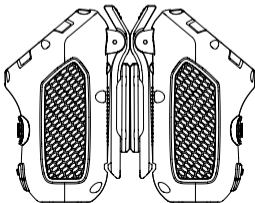
Multi-Point Pairing a Device for the First Time

With both speakers turned on and only one connected to the Bluetooth device, triple click the multi-function button on both of the speakers you would like to pair. They will both flash red & blue until finally you will hear a tone to confirm their connection.

REMINDER: You can only pair two speakers together.

Disconnecting Two Multi-pointed Speakers

Triple click the multi-function button on one of the speakers to disconnect from pairing.



MAKING AND RECEIVING PHONE CALLS

Answering Incoming Calls

Press the Multi-Function Button. There will be an audio prompt.

Ending a Call

Press the Multi-Function Button. There will be an audio prompt.

Rejecting Incoming Calls

Double-press the Multi-Function Button. There will be an audio prompt.

Cancel Dialing

While making a call, press the Multi-Function Button to cancel dialing.

INGRESS PROTECTION RATING

Your bluetooth speaker features an **IP65** rated enclosure that protects against dust, sweat and water. The Thumper is not designed for swimming, showering or prolonged submersion in water. In case of submersion in water, quickly remove from water and air dry before use.

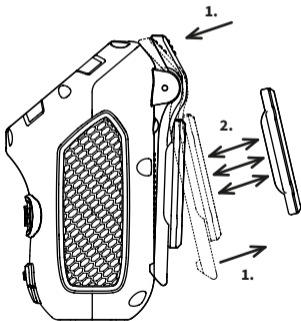
MOUNTING

1. Mounting Clip

Press the top of the clip to open the hinge.

2. Magnet Mount

Remove the magnet from the clip, place cloth or a thin material between the mounting magnet and the speaker.



CARE AND MAINTENANCE

Keeping your Elgin speaker clean is important for prolonging it's lifespan.

To clean gently wipe away dust and dirt with a dry cloth.

Never use harsh or abrasive cleaners on any part of your Elgin speaker.

FACTORY RESET

With the speaker powered off, press and hold the Multi-Function Button for 6 seconds. When the speaker have been reset, there will be a "Factory Reset" voice prompt. Delete the Elgin Thumper profile from your Bluetooth device.

LIMITED WARRANTY

Your Elgin product is warranted to be free of defects in material or workmanship for a period of six (6) months from the original date of purchase (subject to terms and exclusions). Warranty does not cover damage from accidents, misuse, abuse or modifications. Proof of purchase is required.

Full warranty terms and conditions are available at ElginUSA.com.

PRODUCTION REGISTRATION

Register your product today to extend your Elgin warranty to one (1) full year from date of purchase.

- 1. Scan the QR code on the right or visit ElginUSA.com/warranty.**
- 2. Register your product by completing the online form.**
- 3. Receive an additional six (6) months of warranty coverage.**



FCC COMPLIANCE STATEMENT

This device complies with part 15 of the FCC Rules. Operation is subject to the following two conditions: (1) This device may not cause harmful interference, and (2) this device must accept any interference received, including interference that may cause undesired operation.

Note: This equipment has been tested and found to comply with the limits for a Class B digital device, pursuant to part 15 of the FCC Rules. These limits are designed to provide reasonable protection against harmful interference in a residential installation. This equipment generates, uses and can radiate radio frequency energy and, if not installed and used in accordance with the instructions, may cause harmful interference to radio communications. However, there is no guarantee that interference will not occur in a particular installation. If this equipment does cause harmful interference to radio or television reception, which can be determined by turning the equipment off and on, the user is encouraged to try to correct the interference by one or more of the following measures:

- Reorient or relocate the receiving antenna.
- Increase the separation between the equipment and receiver.
- Connect the equipment into an outlet on a circuit different from that to which the receiver is connected.
- Consult the dealer or an experienced radio/TV technician for help.

Note: The Grantee is not responsible for any changes or modifications not expressly approved by the party responsible for compliance. Such modifications could void the user's authority to operate the equipment.

The device has been evaluated to meet general RF exposure requirement. This equipment complies with FCC's RF radiation exposure limits set forth for an uncontrolled environment. This device and its antenna(s) must not be co-located or conjunction with any other antenna or transmitter.

**AMPLIFY YOUR
OUTPUT**

ELGIN